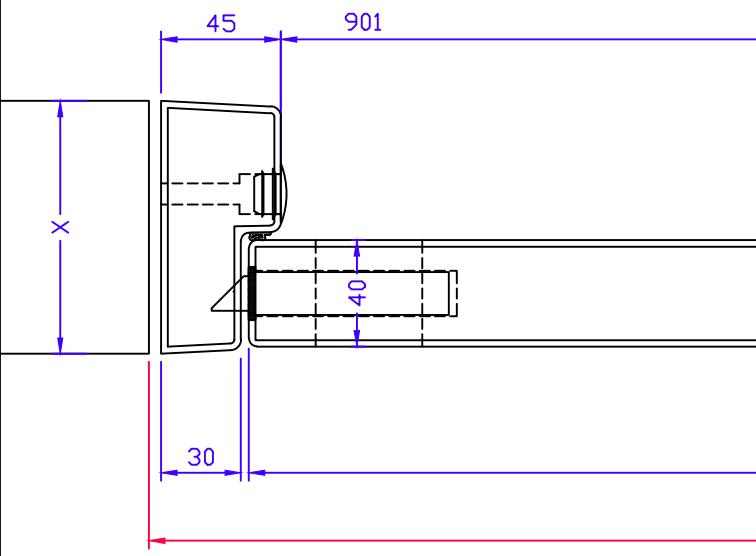
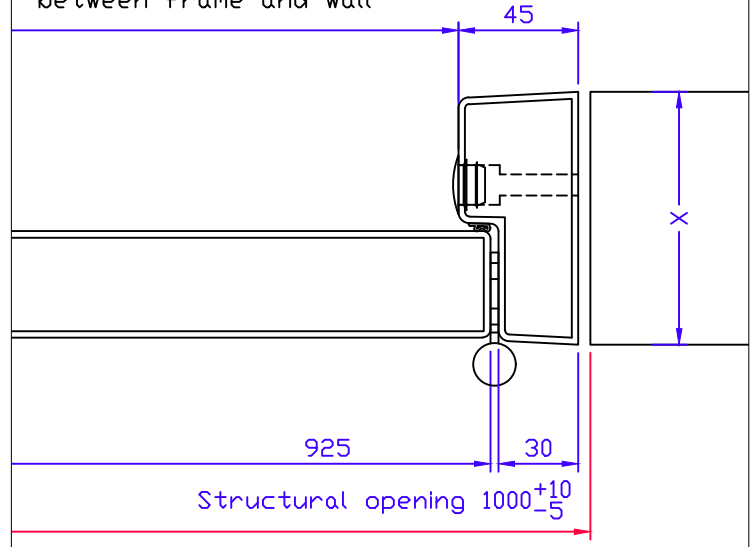


dB30/KMS 10



Mineral wool to be installed between frame and wall



dB30/KMS 14 P

